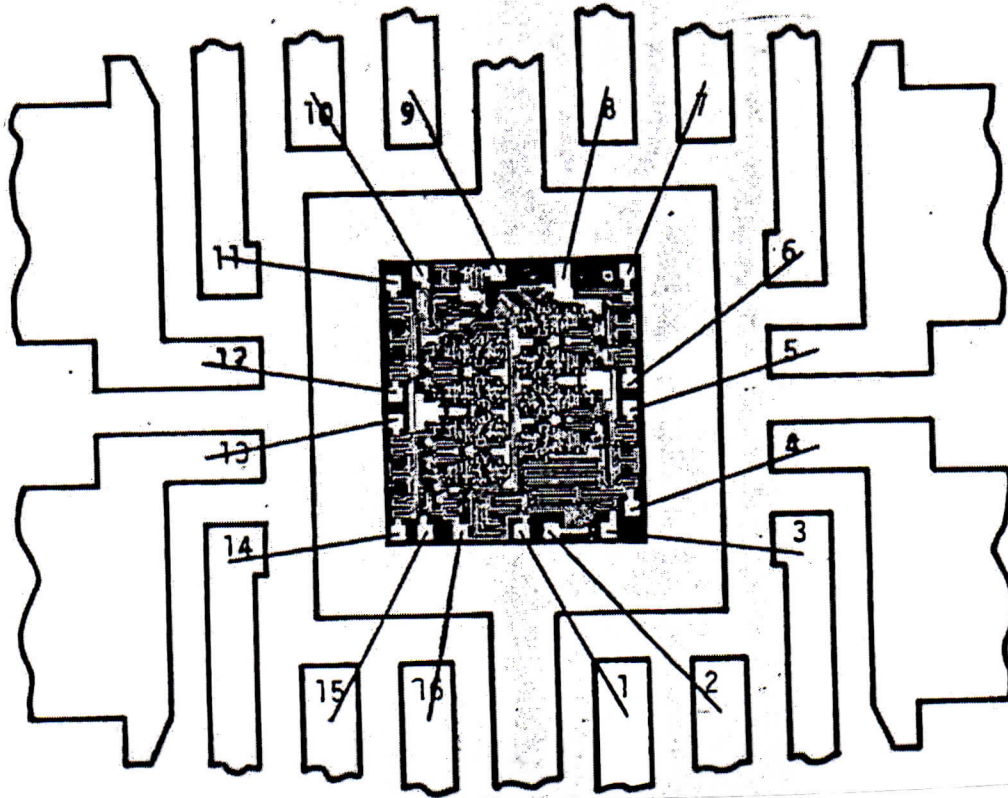




# Sierra Components, Inc.

2222 Park Place • Suite 3E • Minden, Nevada 89423  
Phone: 775.783.4940 Fax: 775.783.4947



Top Material: Aluminum  
Backside Material: Silicon  
Bond Pad Size: .004" Min.  
Backside Potential:  
Process Ref:

APPROVED BY: JK	DIE SIZE : .073 x .078"	DATE: 12/8/15
MFG: Motorola Semi	THICKNESS: .015 "	P/N: CD4094B

DG 10.1.2  
Rev B, 7/19/02